

ALL IDEAS, DESIGNS, ARRANGEMENTS AND PLANS INDICATED OR REPRESENTED BY THESE DRAWINGS ARE OWNED BY AND THE PROPERTY OF PRL GLASS SYSTEMS INC. NO PART THEREOF SHALL BE REPRODUCED, COPIED, ADAPTED, DISTRIBUTED TO OTHERS, PUBLISHED, SOLD OR OTHERWISE USED WITHOUT THE PRIOR WRITTEN CONSENT OF AND APPROPRIATE COMPENSATION TO PRL GLASS SYSTEMS INC. COPYRIGHT ©

ARCHITECT OF RECORD'S APPROVAL

STRUCTURAL ENGINEER OF RECORD'S APPROVAL

STRUCTURAL ENGINEER'S APPROVAL

GENERAL CONTRACTOR'S APPROVAL

REVISIONS	BY
△	
△	
△	
△	
△	
△	

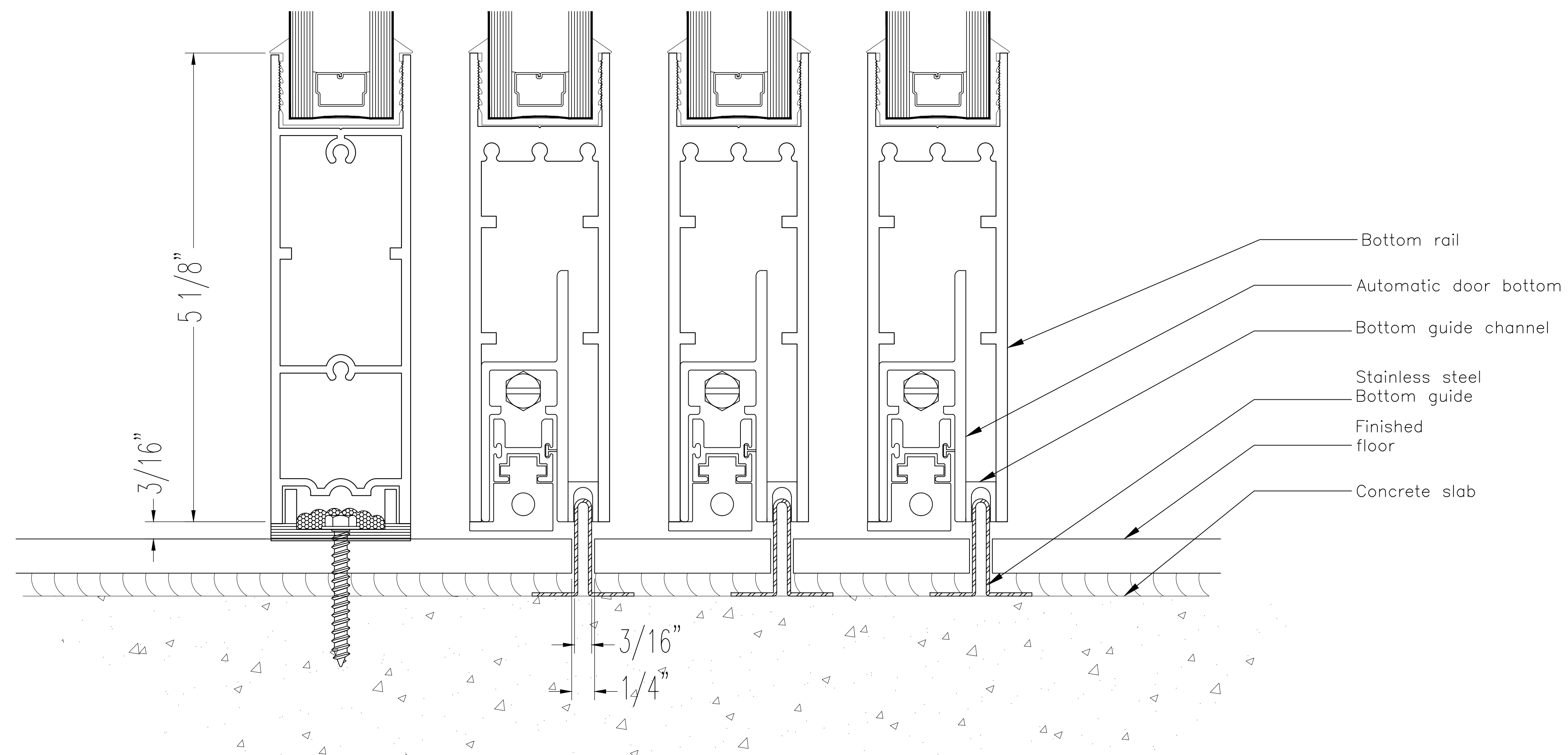
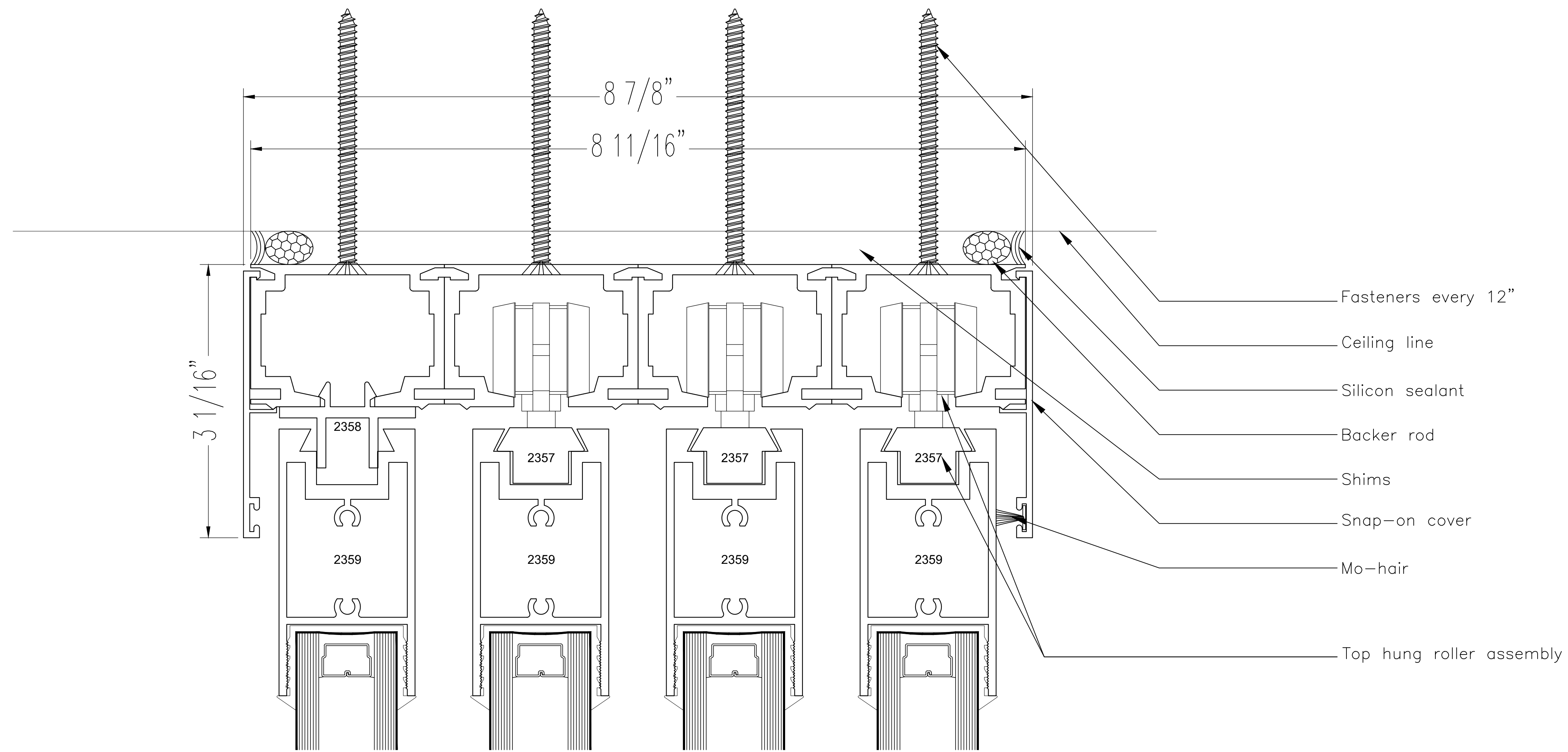
job name
 job name
 job name
 address

GENERAL CONTRACTOR: XXXXXXXX ARCHITECT: XXXXXXXX

DATE: XXXX
 SCALE: 1"=1'-0"
 DRAWN: P
 JOB: XXXXXXXX
 SHEET:

1.01

THIS DRAWING IS NOT TO SCALE IF NOT PRINTED ON 24" X 36" PAPER
 PRL SYSTEMS INC. 100 Maplewood Way, Suite 1000, Maplewood, NJ 07040



IMPORTANT DESIGN NOTE: ALL IDEAS, DESIGNS, ARRANGEMENTS AND PLANS INDICATED OR REPRESENTED BY THESE DRAWINGS ARE OWNED BY AND THE PROPERTY OF PRL GLASS SYSTEMS INC. NO PART THEREOF SHALL BE REPRODUCED, COPIED, ADAPTED, DISTRIBUTED TO OTHERS, PUBLISHED, SOLD OR OTHERWISE USED WITHOUT THE PRIOR WRITTEN CONSENT OF AND APPROPRIATE COMPENSATION TO PRL GLASS SYSTEMS INC. COPYRIGHT ©

ARCHITECT OF RECORD'S APPROVAL

STRUCTURAL ENGINEER OF RECORD'S APPROVAL

STRUCTURAL ENGINEER'S APPROVAL

GENERAL CONTRACTOR'S APPROVAL

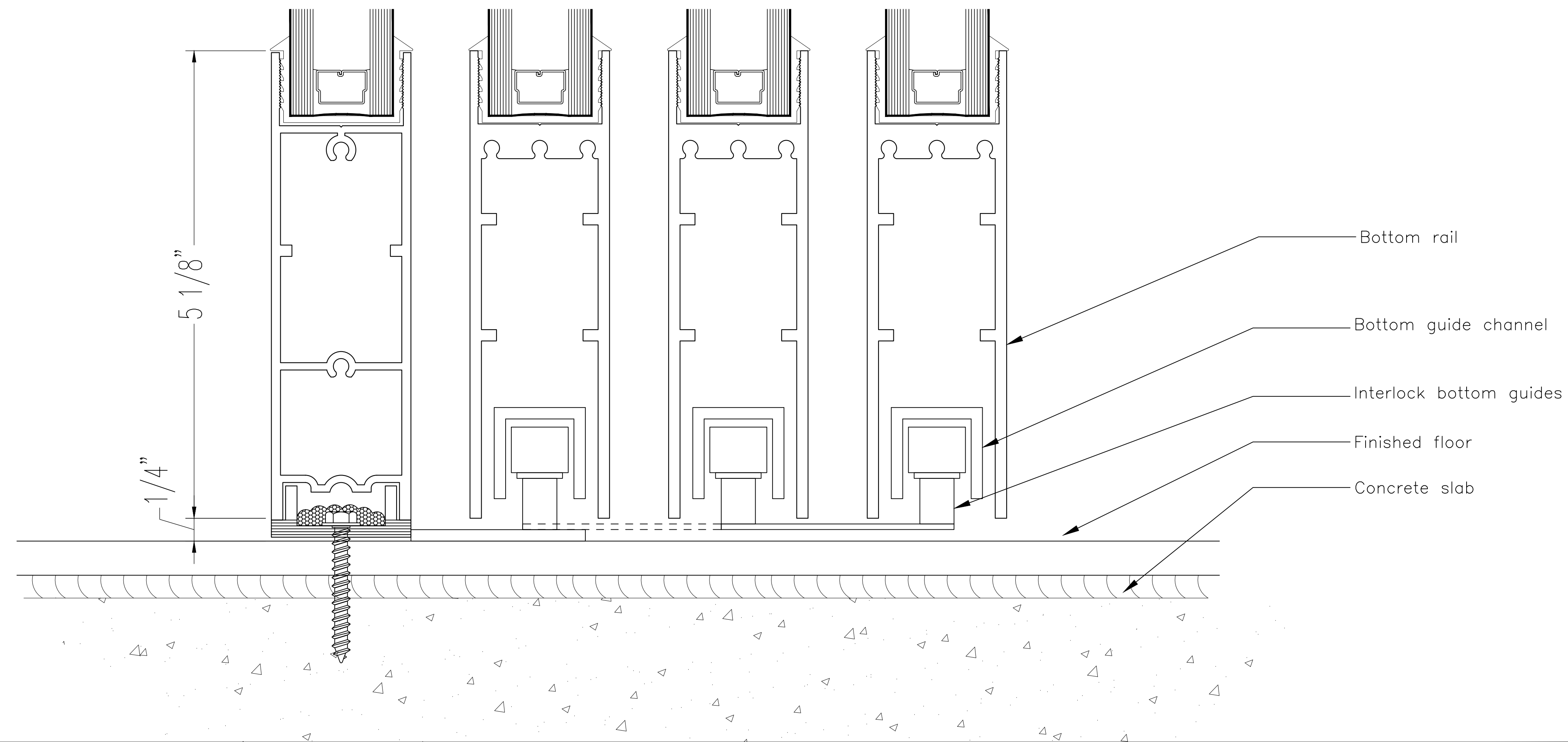
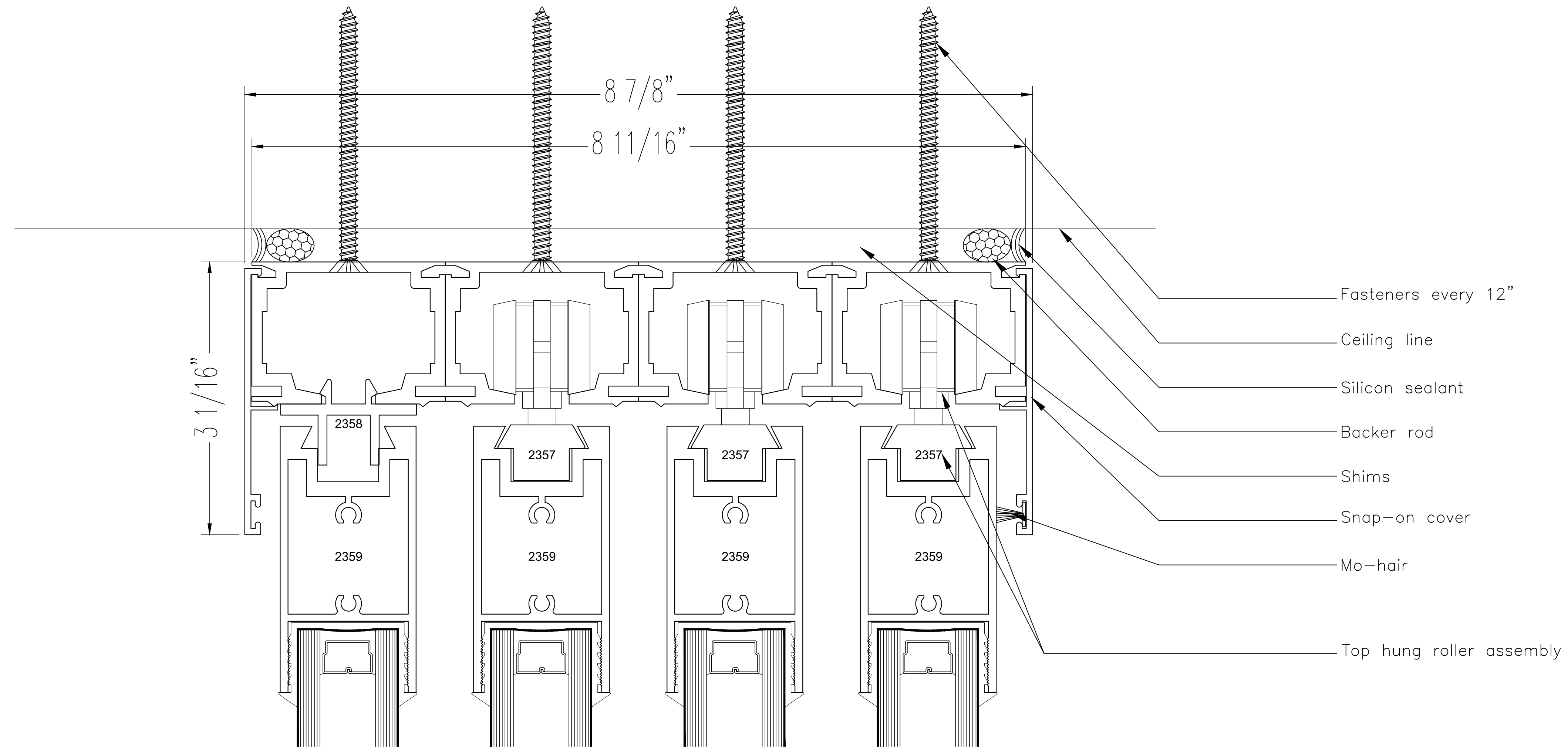
REVISIONS	BY
△	
△	
△	
△	
△	

job name
 job name
 job name
 address

GENERAL CONTRACTOR: ARCHITECT:

XXXXXXXXXXXX XXXXXXXXXXXX
 DATE: XXXX
 SCALE: XXXXX
 DRAWN: P
 JOB: XXXXXXXX
 SHEET:

THIS DRAWING IS NOT TO SCALE IF NOT PRINTED ON PAPER ©



IMPORTANT DESIGN NOTE: ALL IDEAS, DESIGNS, ARRANGEMENTS AND PLANS INDICATED OR REPRESENTED BY THESE DRAWINGS ARE OWNED BY AND THE PROPERTY OF PRL GLASS SYSTEMS INC. NO PART THEREOF SHALL BE REPRODUCED, COPIED, ADAPTED, DISTRIBUTED TO OTHERS, PUBLISHED, SOLD OR OTHERWISE USED WITHOUT THE PRIOR WRITTEN CONSENT OF AND APPROPRIATE COMPENSATION TO PRL GLASS SYSTEMS INC. COPYRIGHT ©

ARCHITECT OF RECORD'S APPROVAL

STRUCTURAL ENGINEER OF RECORD'S APPROVAL

STRUCTURAL ENGINEER'S APPROVAL

GENERAL CONTRACTOR'S APPROVAL

REVISIONS	BY
△	
△	
△	
△	
△	

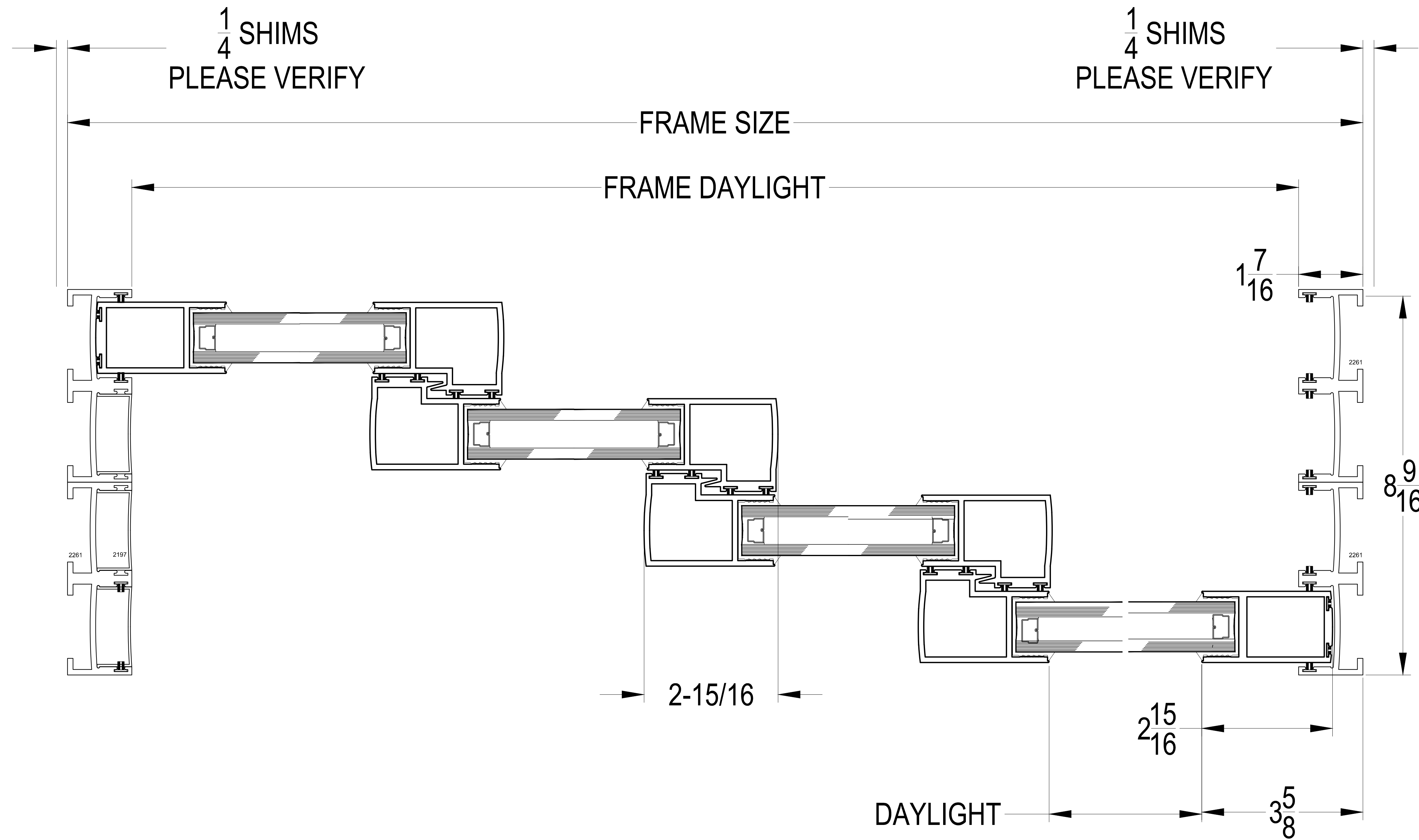
job name
 job name
 job name
 address

GENERAL CONTRACTOR: XXXXXXXX ARCHITECT: XXXXXXXX

DATE: XXXX
 SCALE: XXXXXX
 DRAWN: P
 JOB: XXXXXXXX
 SHEET:

3.01

THIS DRAWING IS NOT TO SCALE IF NOT PRINTED ON PAPER ©

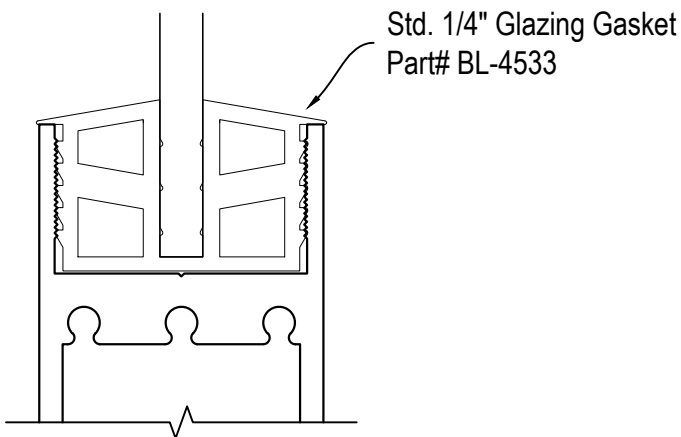
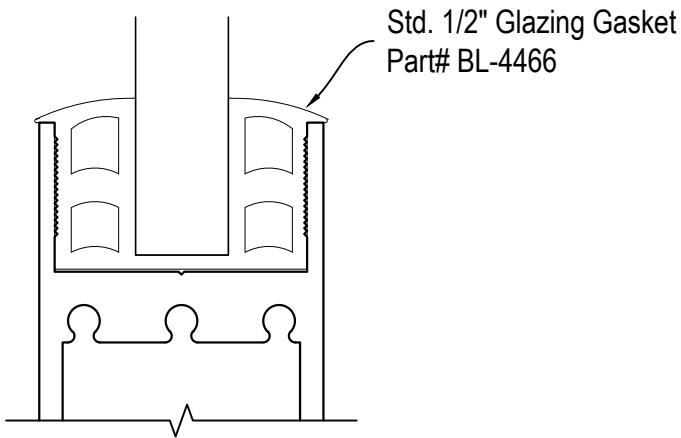
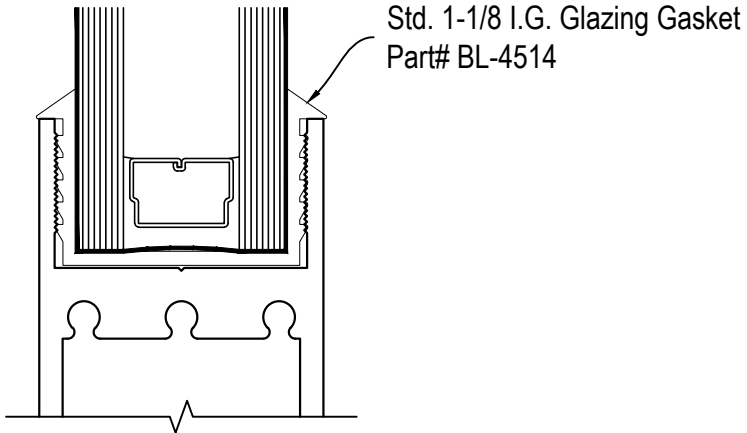


IMPORTANT DESIGN NOTE: ALL IDEAS, DESIGNS, ARRANGEMENTS AND PLANS INDICATED OR REPRESENTED BY THESE DRAWINGS ARE OWNED BY AND THE PROPERTY OF PRL GLASS SYSTEMS INC. NO PART THEREOF SHALL BE REPRODUCED, COPIED, ADAPTED, DISTRIBUTED TO OTHERS, PUBLISHED, SOLD OR OTHERWISE USED WITHOUT THE PRIOR WRITTEN CONSENT OF AND APPROPRIATE COMPENSATION TO PRL GLASS SYSTEMS INC. COPYRIGHT ©

ARCHITECT OF RECORD'S APPROVAL	
STRUCTURAL ENGINEER OF RECORD'S APPROVAL	
STRUCTURAL ENGINEER'S APPROVAL	
GENERAL CONTRACTOR'S APPROVAL	
REVISIONS	BY
△	
△	
△	
△	
△	
job name job name job name address GENERAL CONTRACTOR: XXXXXXXX ARCHITECT: XXXXXXXX	
DATE	XXXX
SCALE	XXXXX
DRAWN	P
JOB	XXXXXXXX
SHEET	

THIS DRAWING IS NOT TO SCALE IF NOT PRINTED ON 24" X 36" PAPER

STD. GLAZING



DATE XXXX

SCALE XXXXX

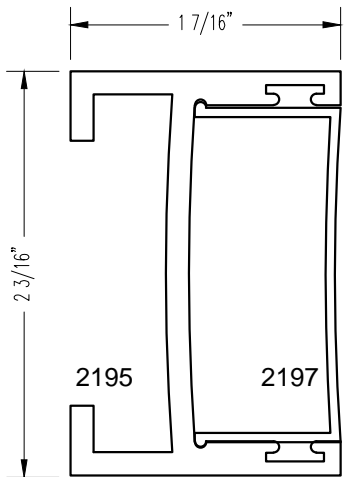
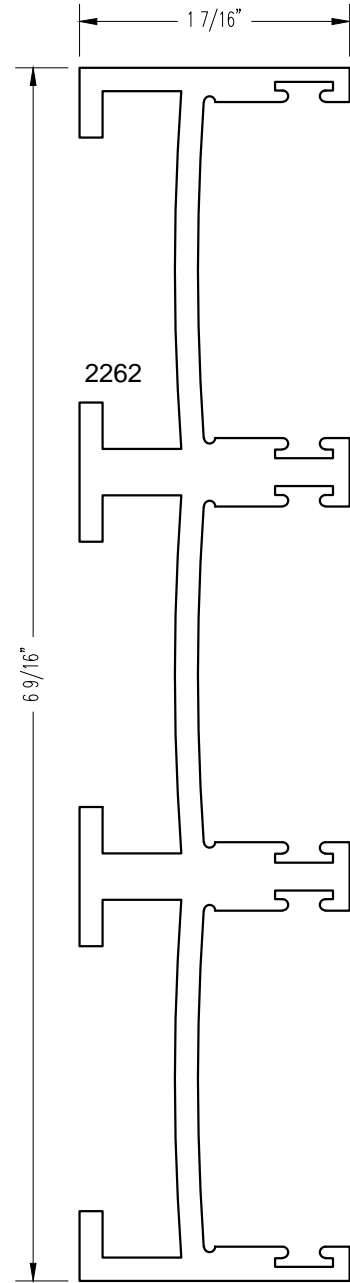
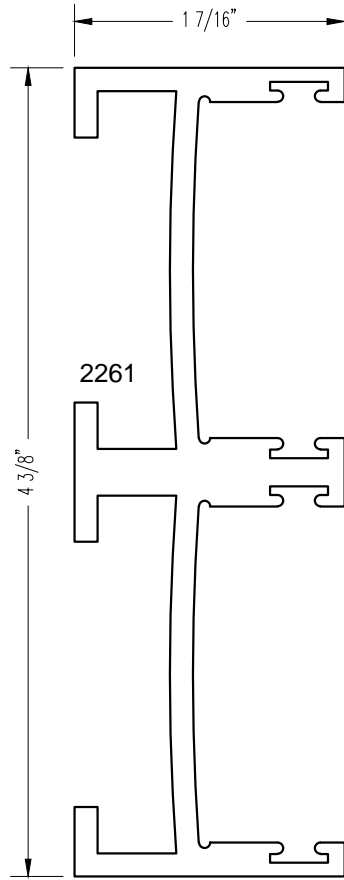
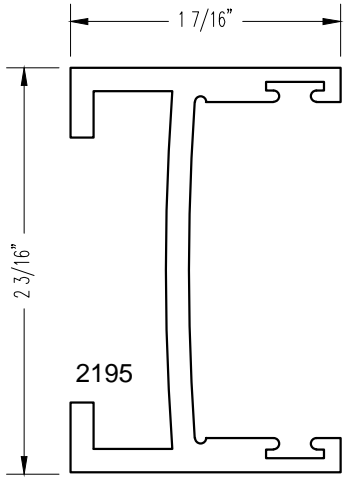
DRAWN P

JOB XXXXXXXXX

SHEET

5.01

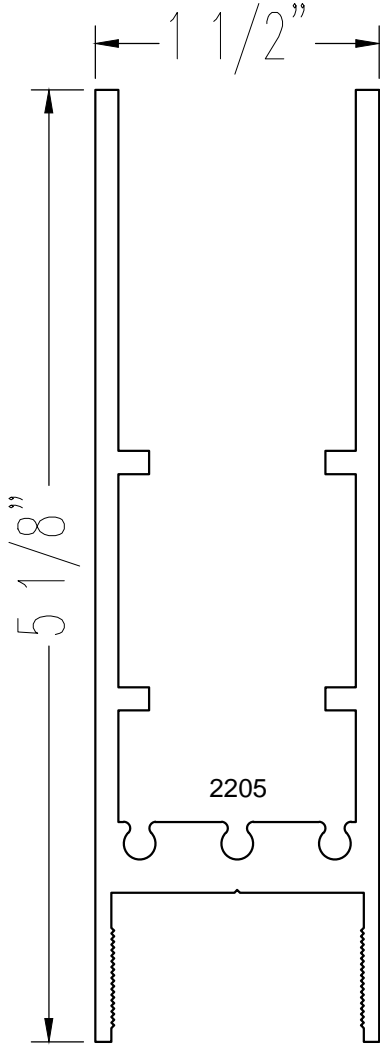
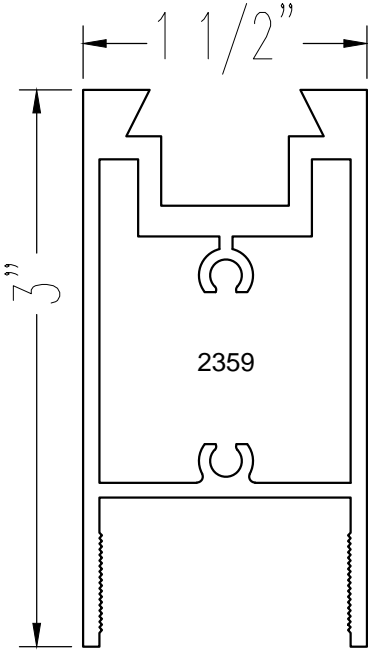
JAMBS



DATE XXXX
SCALE XXXXX
DRAWN P
JOB XXXXXXXXX
SHEET

6.01

TOP RAILS



DATE XXXX

SCALE XXXXX

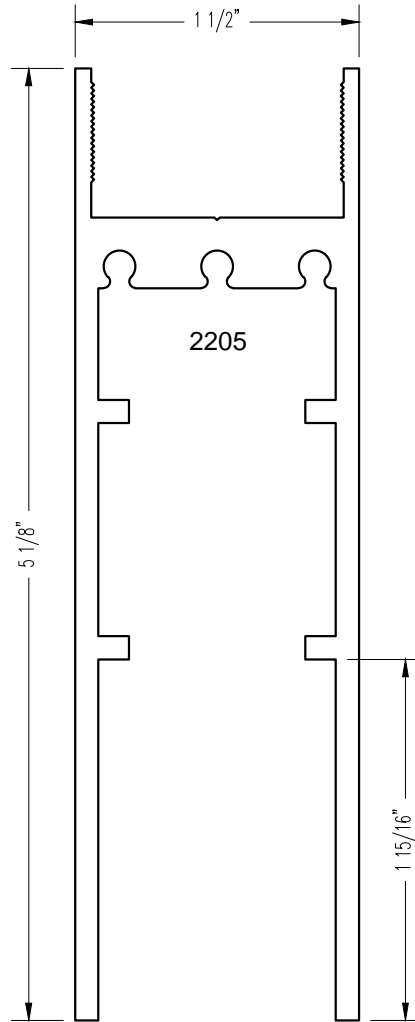
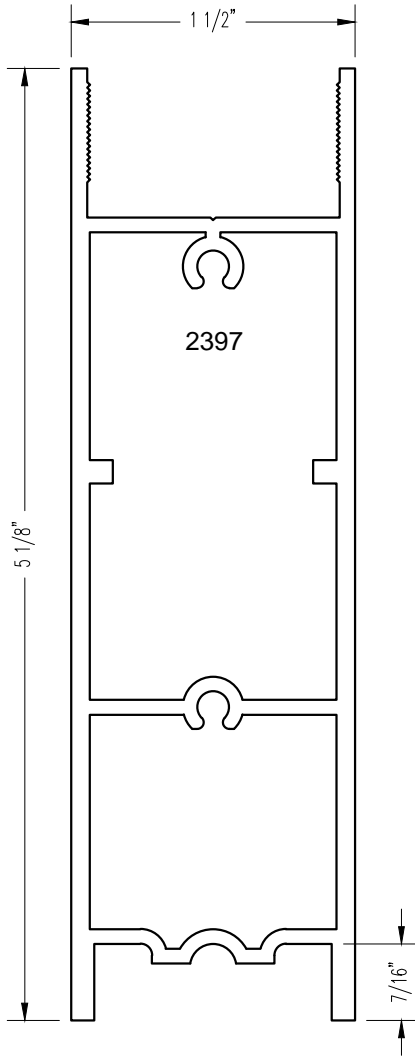
DRAWN P

JOB XXXXXXXXX

SHEET

7.01

BOTTOM RAILS



DATE XXXX

SCALE XXXXX

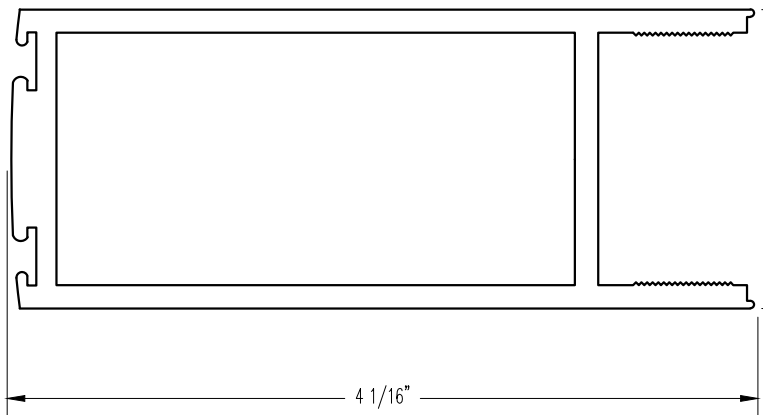
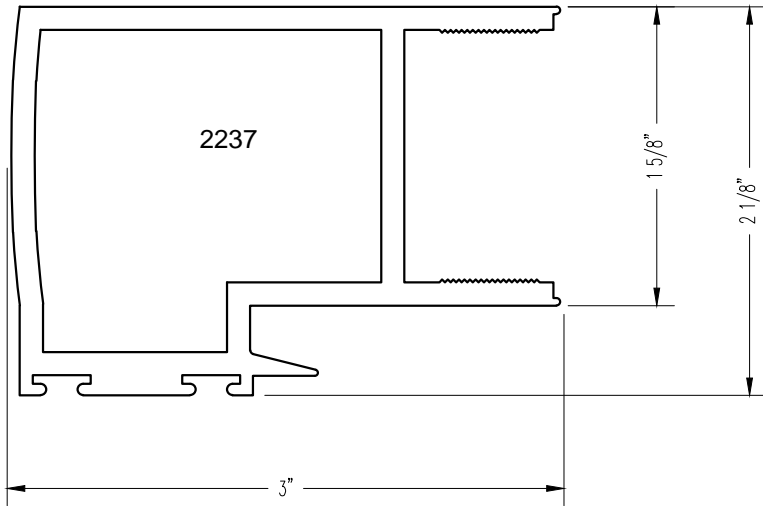
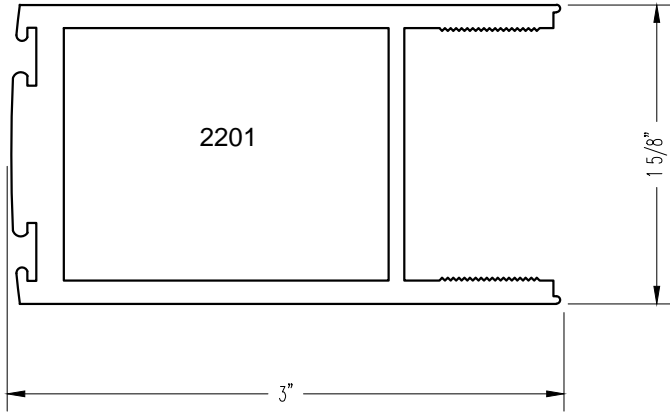
DRAWN P

JOB XXXXXXXXX

SHEET

8.01

DOOR STILES



DATE XXXX

SCALE XXXXX

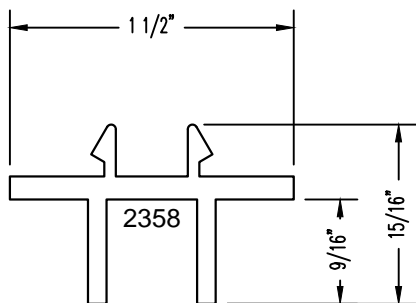
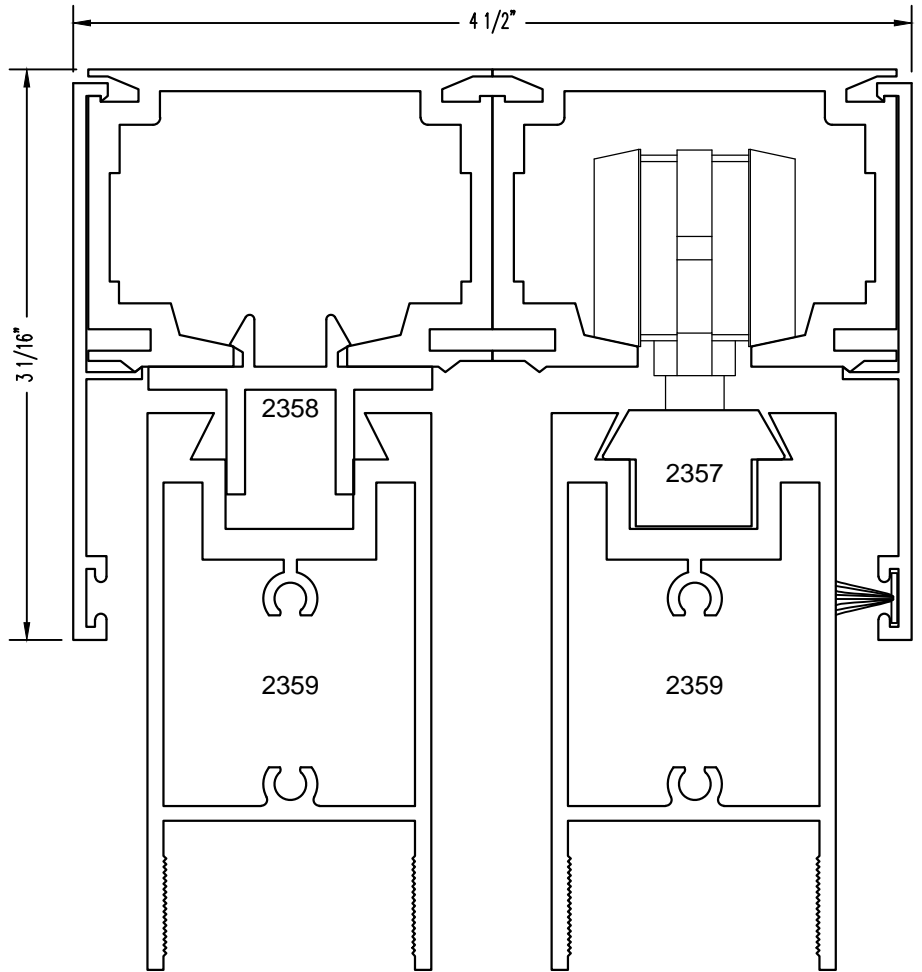
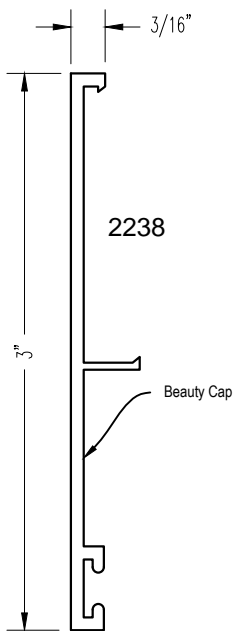
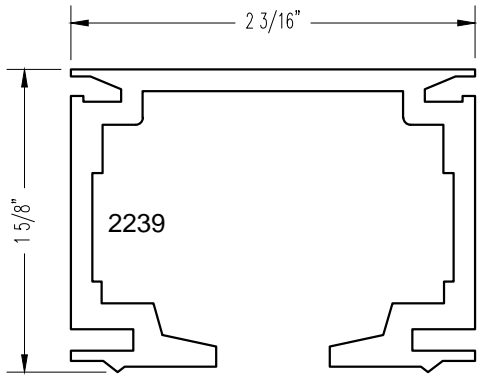
DRAWN P

JOB XXXXXXXXX

SHEET

9.01

HEAD TRACKS - Top Hung Only



DATE XXXX

SCALE XXXXX

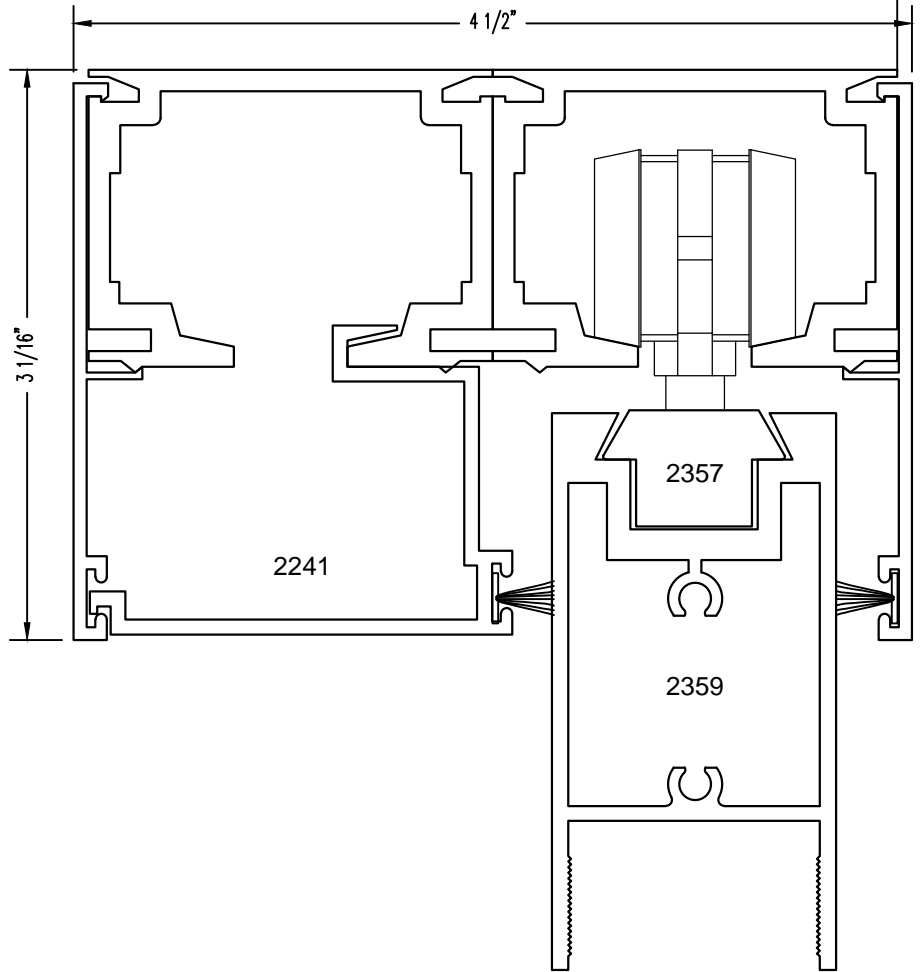
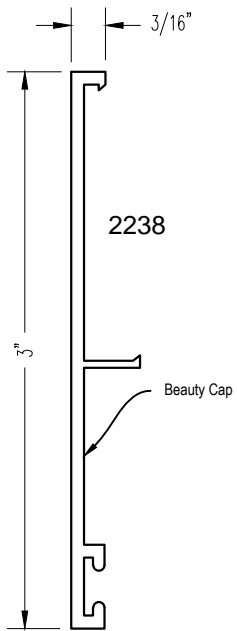
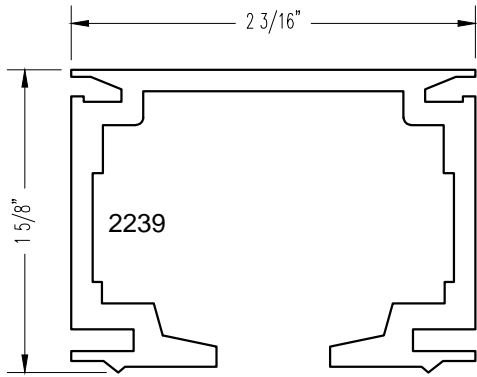
DRAWN P

JOB XXXXXXXXX

SHEET

10.01

HEAD TRACKS - Top Hung Only



DATE XXXX

SCALE XXXXX

DRAWN P

JOB XXXXXXXXX

SHEET

11.01